

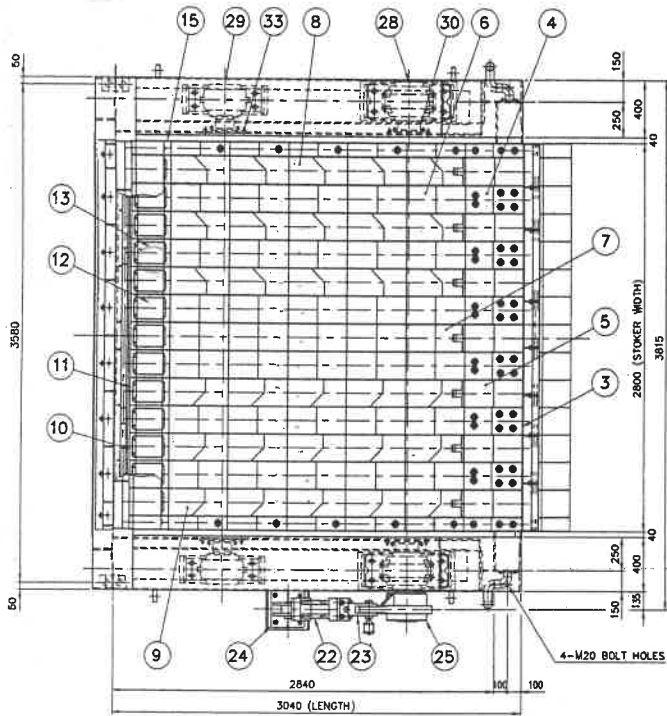


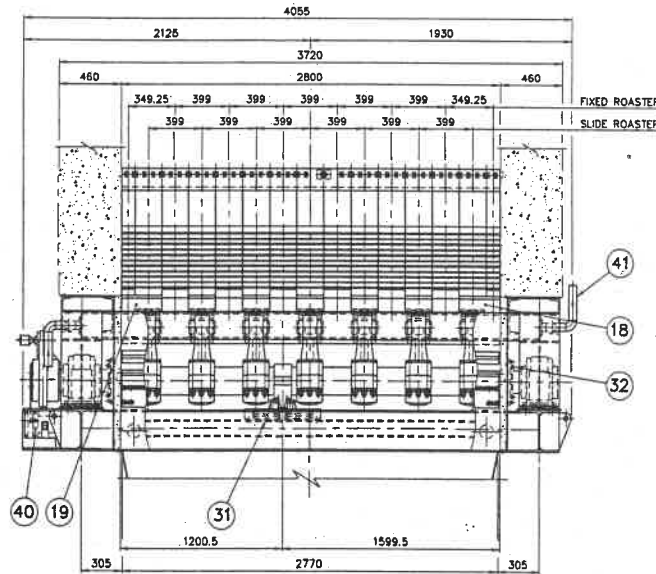
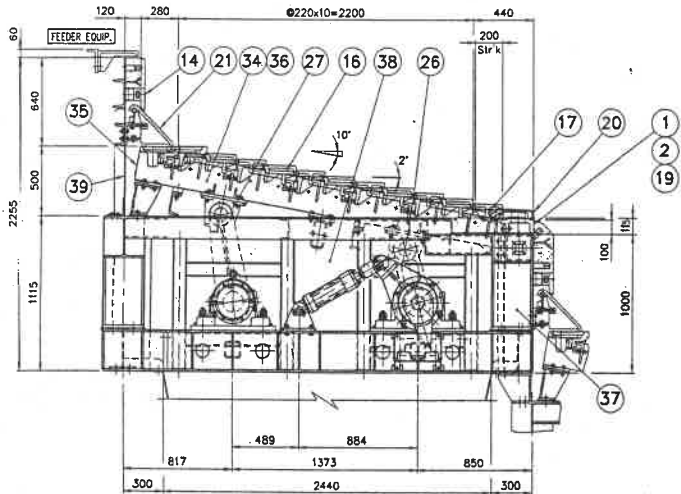
No.	DESCRIPTION	Q'TY	MATERIAL SPEC.	REMARKS		
△						
△						
△						
REV. NO.	DATE	DESCRIPTION	DRN	DES'N	CH'D	APP'D
	2008.05	FOR CONSTRUCTION				S.S. Kang, J.S. Jeon, K.Lee, K.Kim
발주처 OWNER						
여수시						
설계팀 시공팀 DESIGN/CONTRACTOR						
 <b>코오통건설주식회사</b>						
공사업 PROJECT TITLE						
여수시 도시형 폐기물 종합처리시설 건설사업						
도면명 DRAWING TITLE						
1-2201/3201 (STOKER)						
INCINERATOR TOTAL ASSEMBLY						
도면번호 DRAWING NO.						
M01-001		SCALE		1/30	Rev. 	



SPECIFICATION	
STOKER	
SIZE	2.8m(W) x 3.04m(L)
ANGLE	10°
LINE COMPOSITION	FIXED ROASTER 100mm : 2 LINE 200mm : 6 LINE SLIDE ROASTER 7 LINE
OIL CYLINDER	INSIDE DIA. #100x200 STROKE OPERATING PRESSURE : 70kg/cm <sup>2</sup> MAX. PRESSURE : 140kg/cm <sup>2</sup>
ROASTER ADVANCE SPEED	3mm/sec

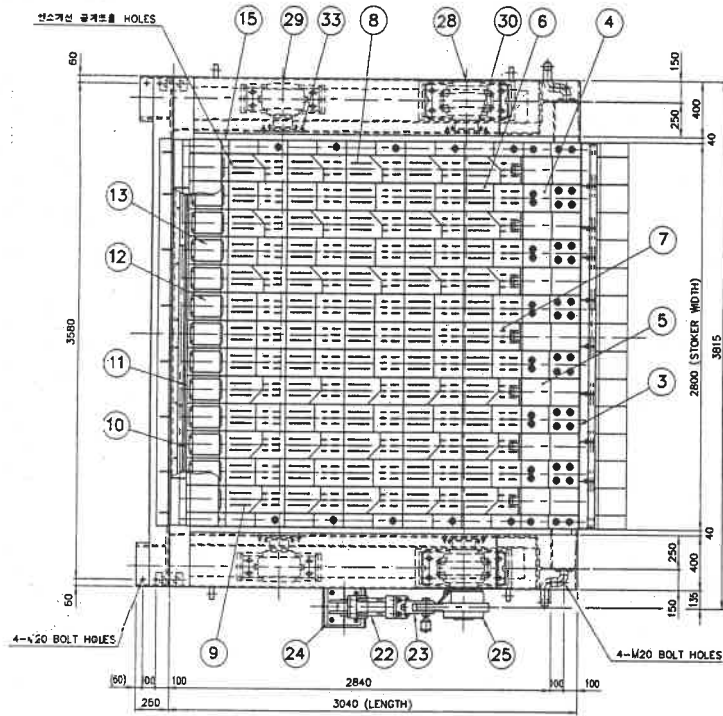
305

200°

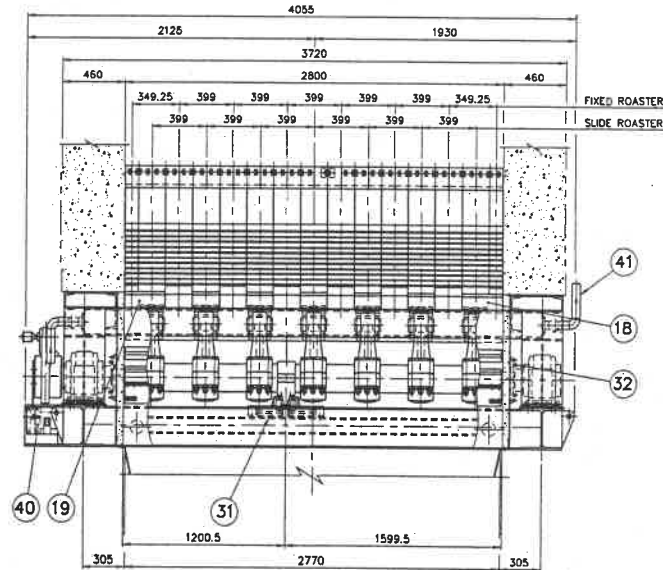
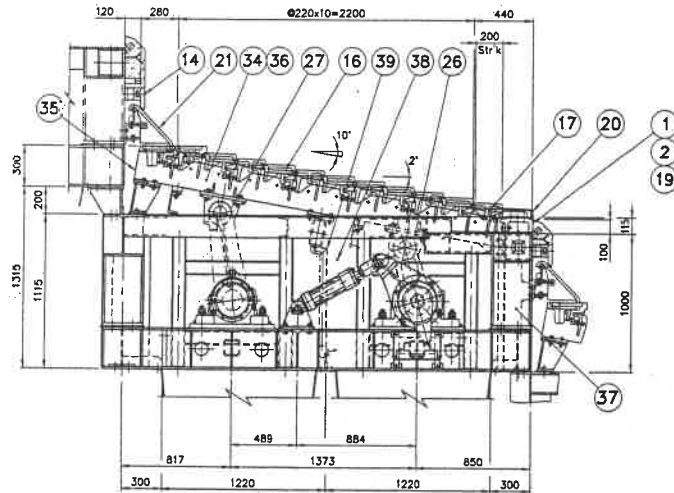


No.	DESCRIPTION	Q'TY	MATERIAL SPEC	REMARKS
41	COOLING PIPING	2	SS400, SUS304	MOI-073
40	INSPECT EQUIP.	1SET	SS400	MOI-074
39	BEHIND CLIFF PLATE	1	SS400, SUS304	MOI-091
38	BODY SHELL	1SET	SS400	MOI-091
37	FRAME	1	SS400	MOI-079
36	100mm FIXED BEAM	1	SS400	MOI-070
35	SLIDING BEAM	7	SS400	MOI-069
34	FIXED BEAM	6	SS400	MOI-068
33	DRIVEN SHAFT	1	S45C	MOI-059
32	#200,#150 SHAFT HOUSING	1	SS400	MOI-058
31	#200,#150 SHAFT FIXED BRACKET	1	SS400, SUS304	MOI-029
30	DRIVING SHAFT	1	SCM435	MOI-056
29	DRIVEN LEVER SHAFT HOUSING	2	-	PURCHASE
28	DRIVING LEVER SHAFT HOUSING	1	-	PURCHASE
27	DRIVEN LEVER	7	FC2500	MOI-055
26	DRIVING LEVER	7	FC0500	MOI-054
25	CYLINDER LEVER	1	SS400	MOI-061
24	CYLINDER BRACKET	1	SS400	MOI-062
23	CYLINDER END ROD	1	SS400	MOI-062
22	OIL CYLINDER	1	-	PURCHASE
21	100mm APRON	2	TH901	MOI-052
20	100mm HORIZONTAL ROASTER CAP	2	TH901	MOI-050
19	300mm LEFT HOR. ROASTER	1	TH901	MOI-049
18	300mm RIGHT HOR. ROASTER	1	TH901	MOI-049
17	100mm END ROASTER	2	TH901	MOI-048
16	100mm MIDDLE ROASTER	10	TH901	MOI-047
15	100mm UPPER ROASTER	2	TH901	MOI-046
14	APRON SEAL BLOCK	13	TH901	MOI-053
13	APRON	13	TH901	MOI-051
12	ROASTER COVER	13	TH901	MOI-036
11	SLIDE UPPER ROASTER	7	TH901	MOI-035
10	FIXED UPPER ROASTER	6	TH901	MOI-034
9	LEFT SLIDE MIDDLE ROASTER	15	TH901	MOI-040
8	RIGHT SLIDE MIDDLE ROASTER	15	TH901	MOI-039
7	SLIDE MIDDLE ROASTER	6	TH901	MOI-038
6	FIXED MIDDLE ROASTER	30	TH901	MOI-037
5	SLIDE END ROASTER	7	TH901	MOI-042
4	FIXED END ROASTER	6	TH901	MOI-041
3	FIXED HORIZONTAL ROASTER CAP	6	TH901	MOI-044
2	SLIDE HORIZONTAL ROASTER	5	TH901	MOI-045
1	FIXED HORIZONTAL ROASTER	6	TH901	MOI-043

△ FOR CONSTRUCTION  
 REV. No. DATE DESCRIPTION DRN DESN C'D APP'D  
 OWNER  
 여수시  
 DESIGN/CONTRACTOR  
 코오롱건설주식회  
 PROJECT TITLE  
 여수시 도시형 폐기물 종합처리시설 건설사업  
 DRAWING TITLE  
 1-2201/3201 (STOKER)  
 DRY PART ASSEMBLY  
 DRAWING No. MOI-002 SCALE 1/20 Rev.



SPECIFICATION	
STOKER	
SIZE	2.8m(W) x 3.04m(L)
ANGLE	10°
LINE COMPOSITION	FIXED ROASTER 100mm : 2 LINE SLIDE ROASTER 200mm : 5 LINE
	SLIDE ROASTER 7 LINE
OIL CYLINDER	INSIDE DIA. #100x200 STROKE OPERATING PRESSURE : 70kgf/cm <sup>2</sup> MAX. PRESSURE : 140kgf/cm <sup>2</sup>
ROASTER ADVANCE SPEED	3mm/sec



41	COOLING PIPING	2	SS400, SUS304	MOI-0
40	INSPECT EQUIP.	1SET	SS400	MOI-0
39	SERVE CUT PLATE	1	SS400, SUS304	MOI-0
38	BODY SHELL	1SET	SS400	MOI-0
37	FRAME	1	SS400	MOI-0
36	100mm FIXED BEAM	1	SS400	MOI-0
35	SLIDING BEAM	7	SS400	MOI-0
34	FIXED BEAM	6	SS400	MOI-0
33	DRIVEN SHAFT	1	S45C	MOI-0
32	#200,#150 SHAFT HOUSING	2	SS400	MOI-0
31	#200,#150 SHAFT FIXED BRACKET	1	SS400, SUS304	MOI-0
30	DRIVING SHAFT	1	SCM435	MOI-0
29	DRIVEN LEVER SHAFT HOUSING	2	-	PURCH
28	DRIVEN LEVER SHAFT HOUSING	1	-	PURCH
27	DRIVEN LEVER	7	FCD500	MOI-0
26	DRIVING LEVER	7	FCD500	MOI-0
25	CYLINDER LEVER	1	SS400	MOI-0
24	CYLINDER BRACKET	1	SS400	MOI-0
23	CYLINDER END ROD	1	SS400	MOI-0
22	OIL CYLINDER	1	-	PURCH
21	100mm APRON	2	TH901	MOI-0
20	100mm HORIZONTAL ROASTER CAP	2	TH901	MOI-0
19	300mm LEFT HOR. ROASTER	1	TH901	MOI-0
18	300mm RIGHT HOR. ROASTER	1	TH901	MOI-0
17	100mm END ROASTER	2	TH901	MOI-0
16	100mm MIDDLE ROASTER	10	TH901	MOI-0
15	100mm UPPER ROASTER	2	TH901	MOI-0
14	APRON SEAL BLOCK	13	TH901	MOI-0
13	APRON	13	TH901	MOI-0
12	ROASTER COVER	13	TH901	MOI-0
11	SLIDE UPPER ROASTER	7	TH901	MOI-0
10	FIXED UPPER ROASTER	6	TH901	MOI-0
9	LEFT SLIDE MIDDLE ROASTER	15	TH901	MOI-0
8	RIGHT SLIDE MIDDLE ROASTER	15	TH901	MOI-0
7	SLIDE MIDDLE ROASTER	5	TH901	MOI-0
6	FIXED MIDDLE ROASTER	30	TH901	MOI-0
5	SLIDE END ROASTER	7	TH901	MOI-0
4	FIXED END ROASTER	6	TH901	MOI-0
3	FIXED HORIZONTAL ROASTER CAP	6	TH901	MOI-0
2	SLIDE HORIZONTAL ROASTER	5	TH901	MOI-0
1	FIXED HORIZONTAL ROASTER	6	TH901	MOI-0
No.	DESCRIPTION	Q'TY	MATERIAL SPEC	REMARK

2008.05 FOR CONSTRUCTION s.d.kong@n.wonk.j.llee.yl

REV. No.	DATE	DESCRIPTION	DR	DES	CHD	A

OWNER

여수시

DESIGN/CONTRACTOR

코오롱건설주식회

PROJECT TITLE

여수시 도시형 폐기물 종합처리시설 건설사업

DRAWING TITLE

I-2201/3201 (STOKER)

COMBUSTION PART ASSEMBLY

DRAWING No. MOI-003 SCALE 1/20 Rev. 1