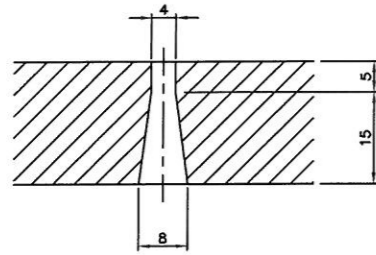


1?? ????

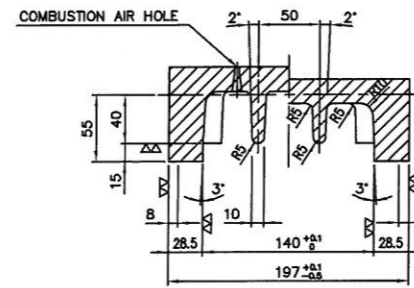
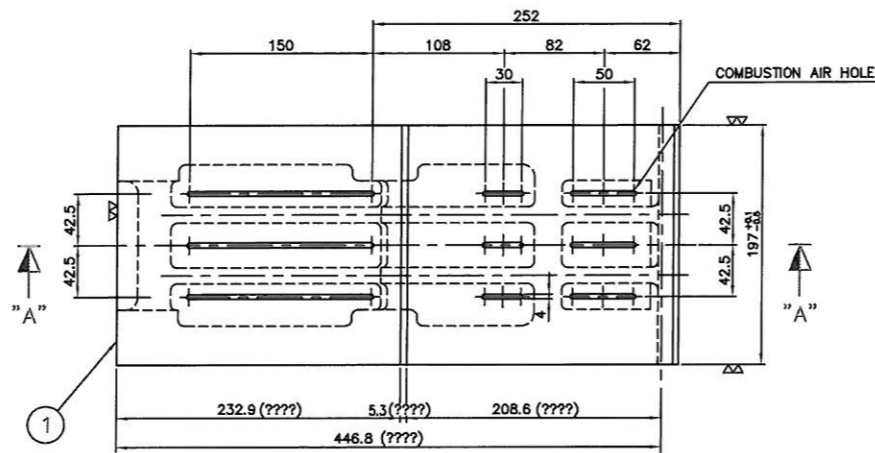
STOKER WIDTH	N
1.6m	7
1.8m, 2.0m	9
2.2m, 2.4m	11
2.6m, 2.8m	13
3.0m	15
3.6m	17

TOTAL Q'TY : 13x3=39

No.	DESCRIPTION	Q'TY	MATERIAL SPEC	REMARKS		
1	UPPER ROASTER COVER	13x3	TH901	W=7.8kg		
△						
△						
△						
△	2008.06 FOR CONSTRUCTION		s.d.Kang/b.n.Jeon/k.j.Lee/y.k.Kim			
REV. No.	DATE	DESCRIPTION	DR'N	DES'N	CH'D	APP'D
???		OWNER				
 여 수 시						
???						
 여 수 시						
???						
PROJECT TITLE 여수시 도시형 폐기물 종합처리시설 건설사업						
???						
DRAWING TITLE I-2201/3201 (STOKER)						
ROASTER COVER (UPPER PART)						
???						
DRAWING NO. M01-036 SCALE 1/2 Rev. △						

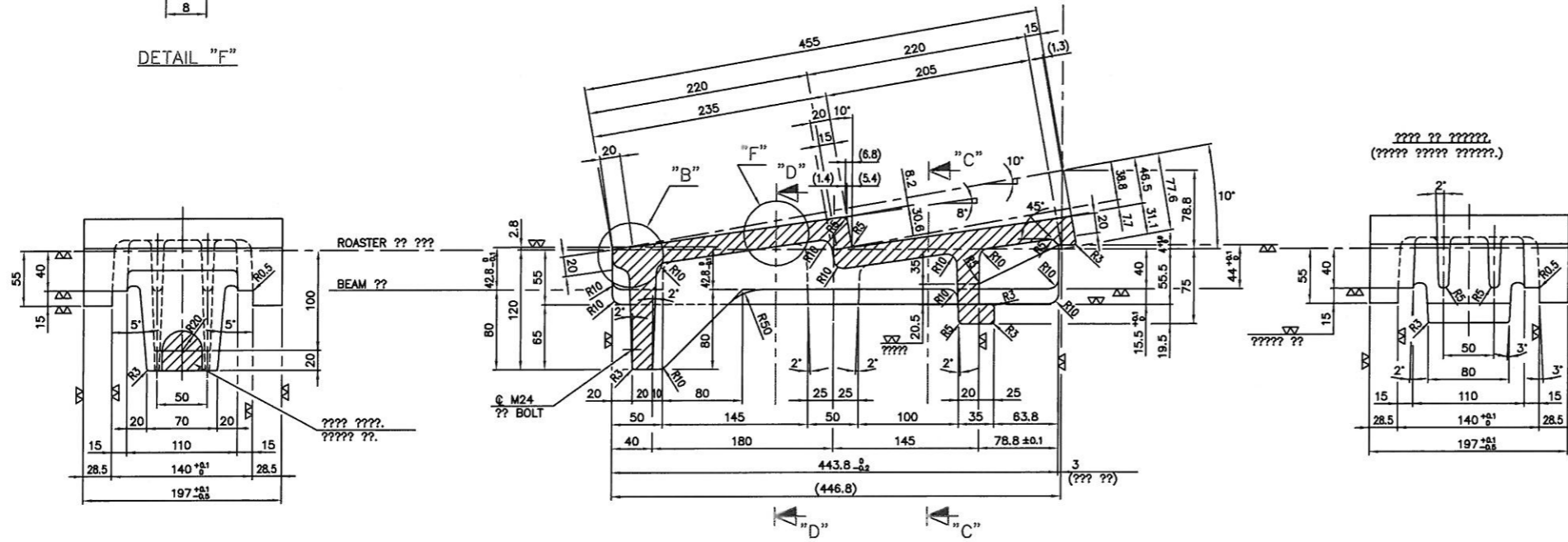


DETAIL "F"

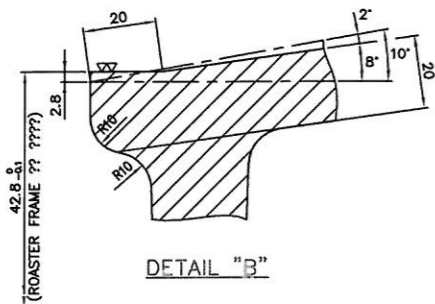


SECTION "D-D" SECTION "C-C"

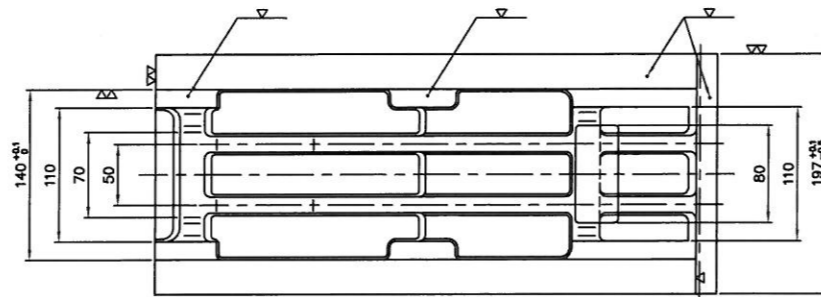
1?? ????
 ? ? STOKER WIDTH N
 ??? ALL SIZE 5
 ??? ALL SIZE 5
 ??? 1.6m, 1.8m 4x5=20
 2.0m, 2.2m 5x5=25
 2.4m, 2.6m 6x5=30
 2.8m, 3.0m 7x5=35
 3.6m 9x5=45
 TOTAL Q'TY : 5+5+35=45



SECTION "A-A"



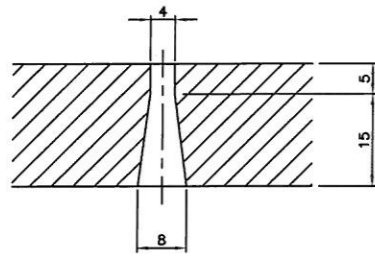
DETAIL "B"



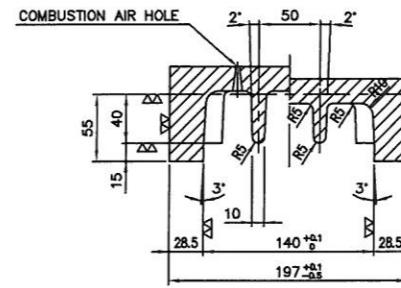
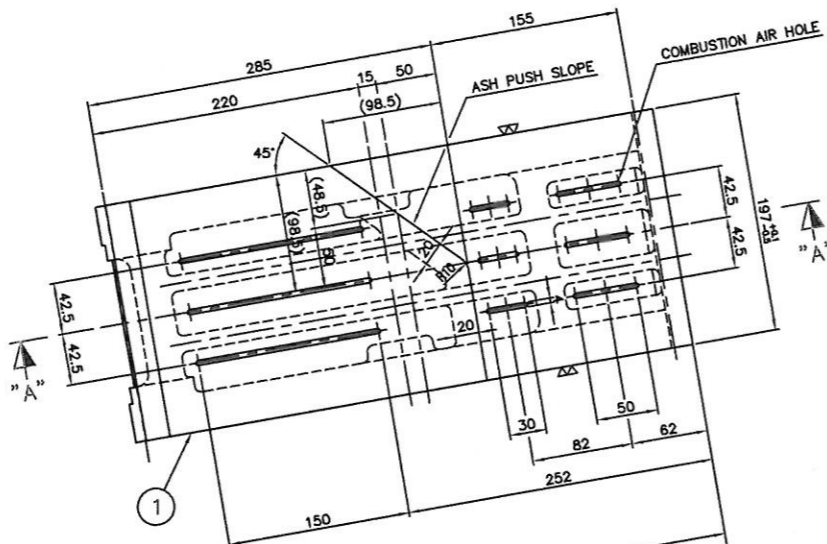
NOTE

1. COMBUSTION AIR HOLE ? ???? (5EA) ??? ?.

No.	DESCRIPTION	Q'TY	MATERIAL SPEC	REMARKS		
1	SLIDE MIDDLE ROASTER	5+5+35	TH901	W=25.4kg		
△						
△						
△	2008.05 FOR CONSTRUCTION		s.d.Kang, b.n.Jeon, k.j.Lee, y.k.Kim			
REV. No.	DATE	DESCRIPTION	DR'N	DES'N	CH'D	APP'D
???						
<p>???</p> <p>여수시</p>						
<p>???</p> <p>DESIGN/CONTRACTOR</p> <p>요원공건설주식회사</p>						
<p>???</p> <p>PROJECT TITLE</p> <p>여수시 도시형 폐기물 종합처리시설 건설사업</p>						
<p>???</p> <p>DRAWING TITLE</p> <p>I-2201/3201 (STOKER)</p>						
<p>SLIDE MIDDLE ROASTER</p>						
???	DRAWING NO.	M01-038	SCALE	1/3	Rev.	△



DETAIL "F"

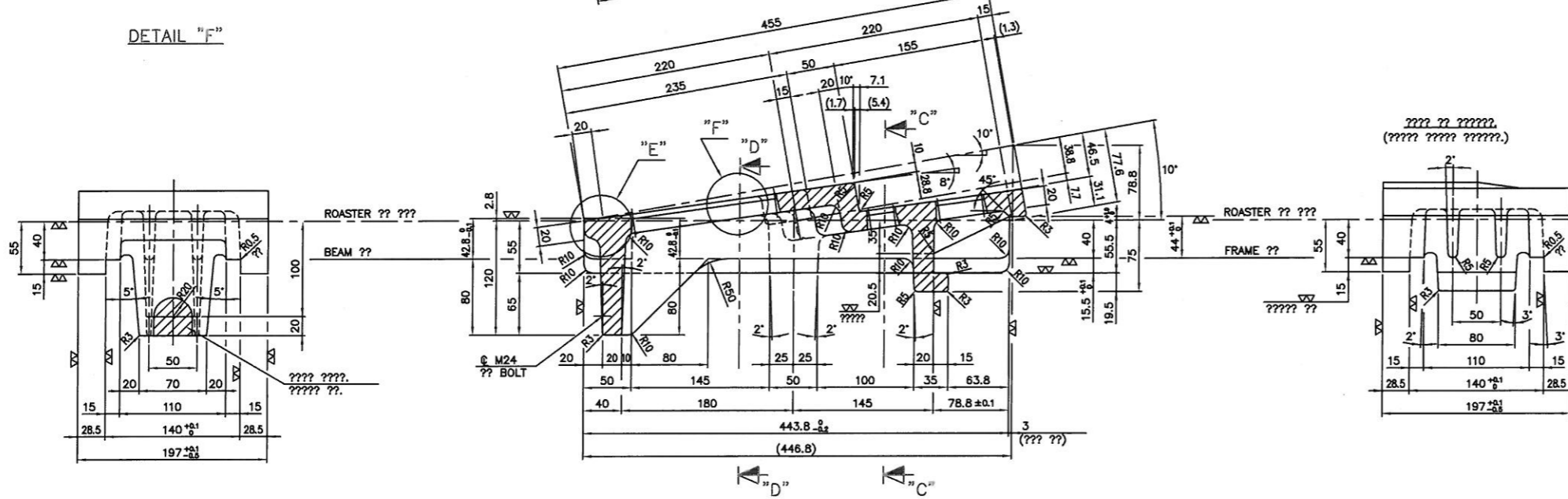


SECTION "D-D" SECTION "C-C"

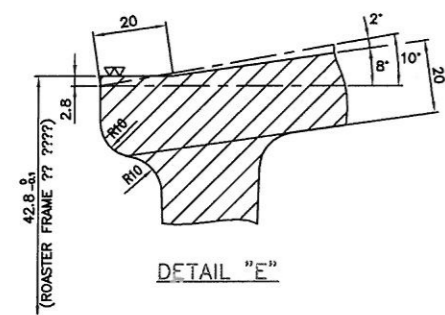
1?? ???? (??/????)

STOKER WIDTH	N
1.6m~2.2m	5x2=10
2.4m~3.0m	5x3=15
3.6m	5x4=20

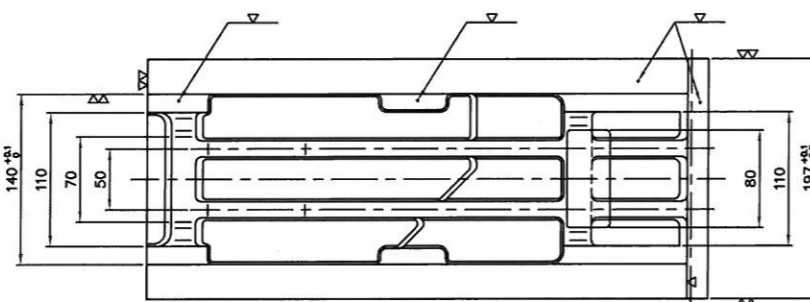
TOTAL Q'TY : 15x2=30



SECTION "A-A"



DETAIL "E"



NOTE

1. COMBUSTION AIR HOLE ? ???? (15EA) ??? ?.

No.	DESCRIPTION	Q'TY	MATERIAL SPEC	REMARKS
1	RIGHT SLIDE MIDDLE ROASTER	15x2	TH901	W=25.6kg

REV. No.	DATE	DESCRIPTION	DRN	DESN	CHD	APP'D
1	2008.05	FOR CONSTRUCTION	s.d.Kang	b.n.Jeon	k.j.Lee	y.k.Kim

??? OWNER

여수시

??? DESIGN/CONTRACTOR

요원건설주식회사

PROJECT TITLE

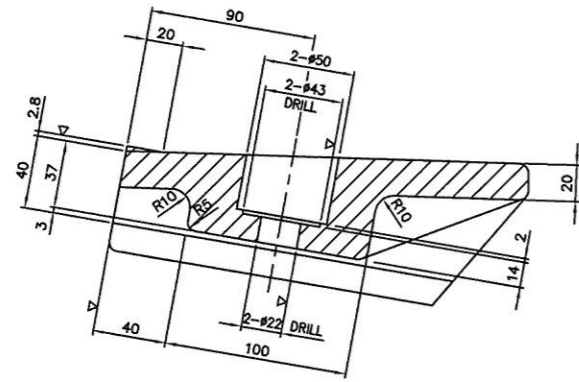
여수시 도시형 폐기물 종합처리시설 건설사업

DRAWING TITLE

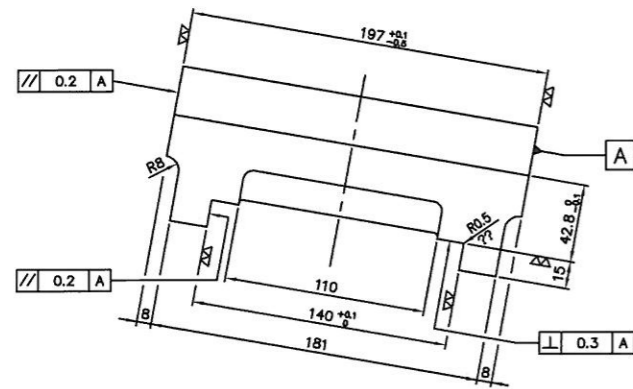
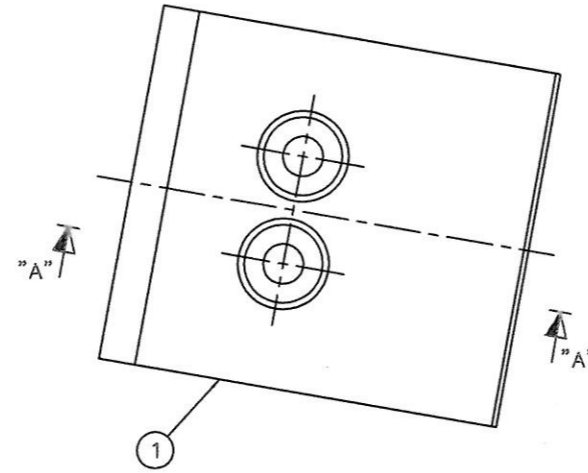
1-2201/3201 (STOKER)

RIGHT SLIDE MIDDLE ROASTER

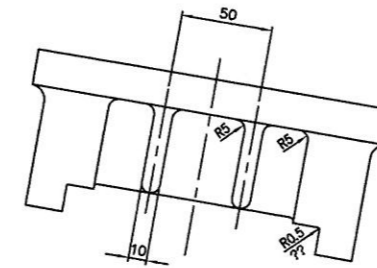
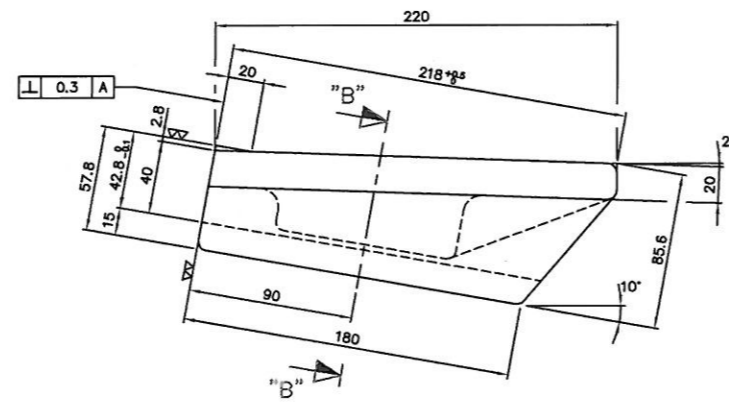
DRAWING NO. M01-039 SCALE 1/3 Rev. 1



SECTION "A-A"




SECTION "B-B"

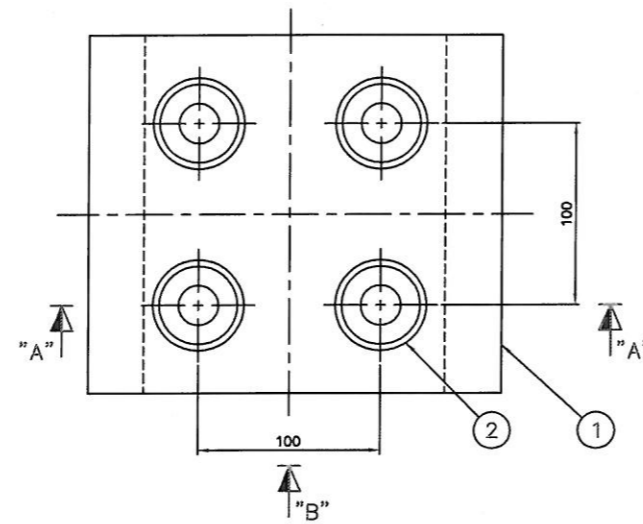


1?? ????

STOKER WIDTH	N
1.6m	3
1.8m, 2.4m	5
2.0m	4
2.2m, 2.8m	6
2.6m	7
3.0m, 3.6m	8

TOTAL Q'TY : 6x3?=18

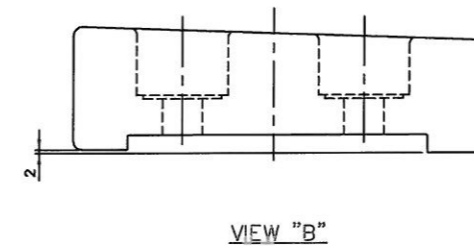
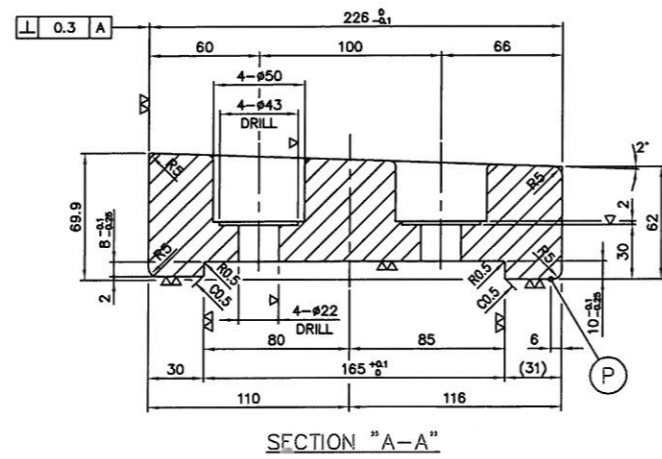
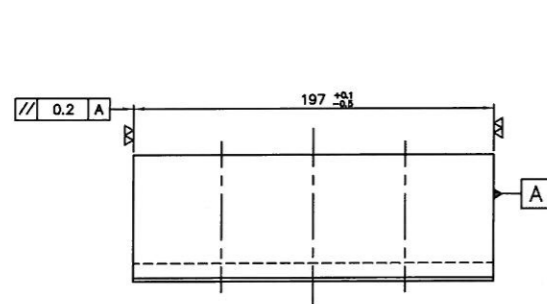
No.	DESCRIPTION	Q'TY	MATERIAL SPEC	REMARKS		
1	FIXED END ROASTER	6x3	TH901	W=13kg		
△						
△						
△						
△	2008.06 FOR CONSTRUCTION		s.d.Kang b.n.Jeon k.j.Lee y.k.Kim			
REV. No.	DATE	DESCRIPTION	DR'N	DES'N	CH'D	APP'D
???	OWNER	 여 수 시				
???	DESIGN/CONTRACTOR	 경원통건설주식회사				
???	PROJECT TITLE	여수시 도시형 폐기물 종합처리시설 건설사업				
????	DRAWING TITLE	I-2201/3201 (STOKER)				
FIXED END ROASTER						
????	DRAWING NO.	M01-041	SCALE	1/2	Rev.	△



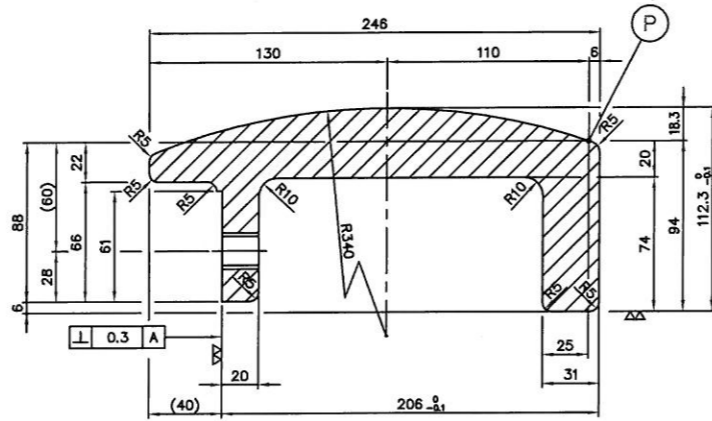
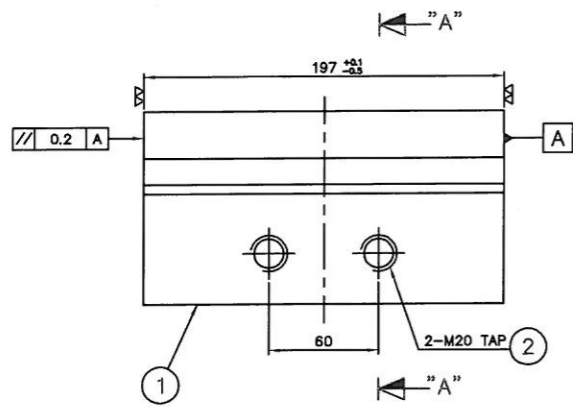
1?? ????

STOKER WIDTH	N
1.6m	3
1.8m, 2.4m	5
2.0m	4
2.2m, 2.8m	6
2.6m	7
3.0m, 3.6m	8

TOTAL Q'TY : 6x3?-18



2	BOLT & SPRING WASHER	72	SUS304	M20x50L		
1	FIXED HORIZONTAL ROASTER CAP	6x3	TH901		W=18kg	
No.	DESCRIPTION	Q'TY	MATERIAL SPEC	REMARKS		
△						
△						
△	2008.05	FOR CONSTRUCTION	s.d.Kang	b.n.Jeon	k.j.Lee y.k.Kim	
REV. No.	DATE	DESCRIPTION	DR'N	DES'N	CH'D	APP'D
???	OWNER					
 여 수 시						
???						
 경원건설주식회사						
???						
PROJECT TITLE						
여수시 도시형 폐기물 종합처리시설 건설사업						
???						
DRAWING TITLE						
I-2201/3201 (STOKER)						
FIXED HORIZONTAL ROASTER CAP						
???						
DRAWING NO.		SCALE		Rev.		
M01-044		1/2		△		



SECTION "A-A"

1?? ????

STOKER WIDTH	N
1.6m	2
1.8m, 2.4m	4
2.0m	3
2.2m, 2.8m	5
2.6m	6
3.0m, 3.6m	7

TOTAL Q'TY : 5x3? = 15

2	BOLT & SPRING WASHER	30	SUS304	M20x45L	
1	SLIDE HORIZONTAL ROASTER	5x3	TH901		W=18kg
No.	DESCRIPTION	Q'TY	MATERIAL SPEC	REMARKS	

△						
△						
△	2008.05	FOR CONSTRUCTION	s.d.Kang	b.n.Jeon	k.j.Lee y.k.Kim	
REV. No.	DATE	DESCRIPTION	DR'N	DES'N	CH'D	APP'D

??? OWNER
 여 수 시

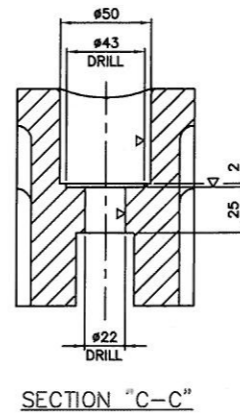
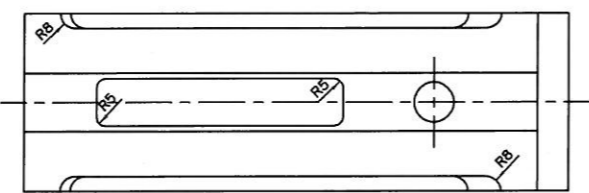
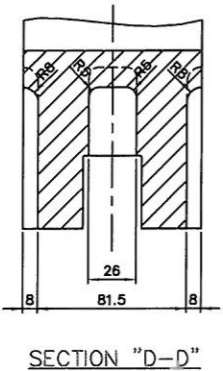
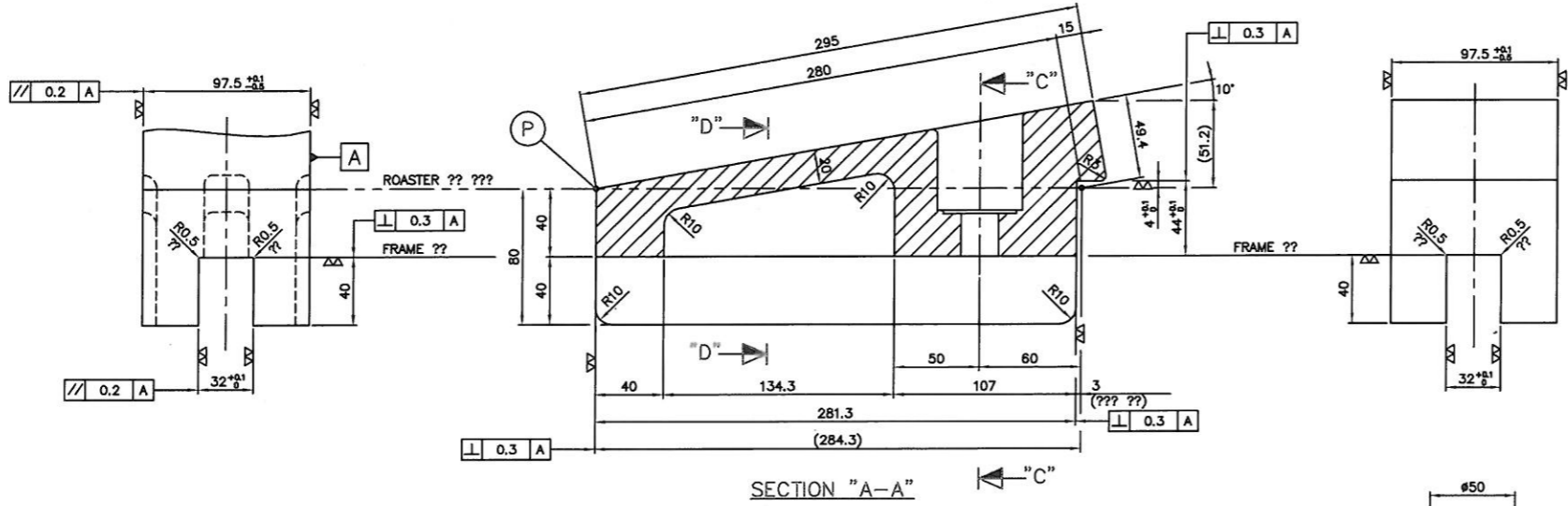
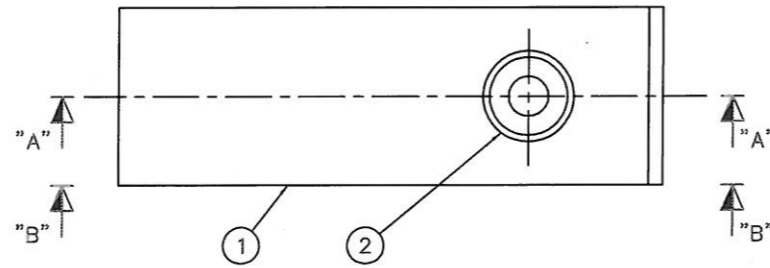
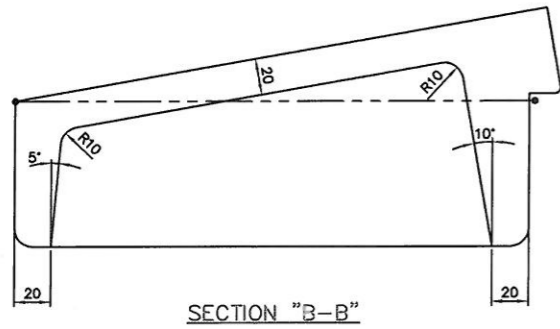
??? ??? DESIGN/CONTRACTOR
 효 요 공 건 설 주? 색 회 사

??? PROJECT TITLE
 여수시 도시형 폐기물 종합처리시설 건설사업

???? DRAWING TITLE
 I-2201/3201 (STOKER)

SLIDE HORIZONTAL ROASTER

???? DRAWING NO. M01-045 SCALE 1/2 Rev.

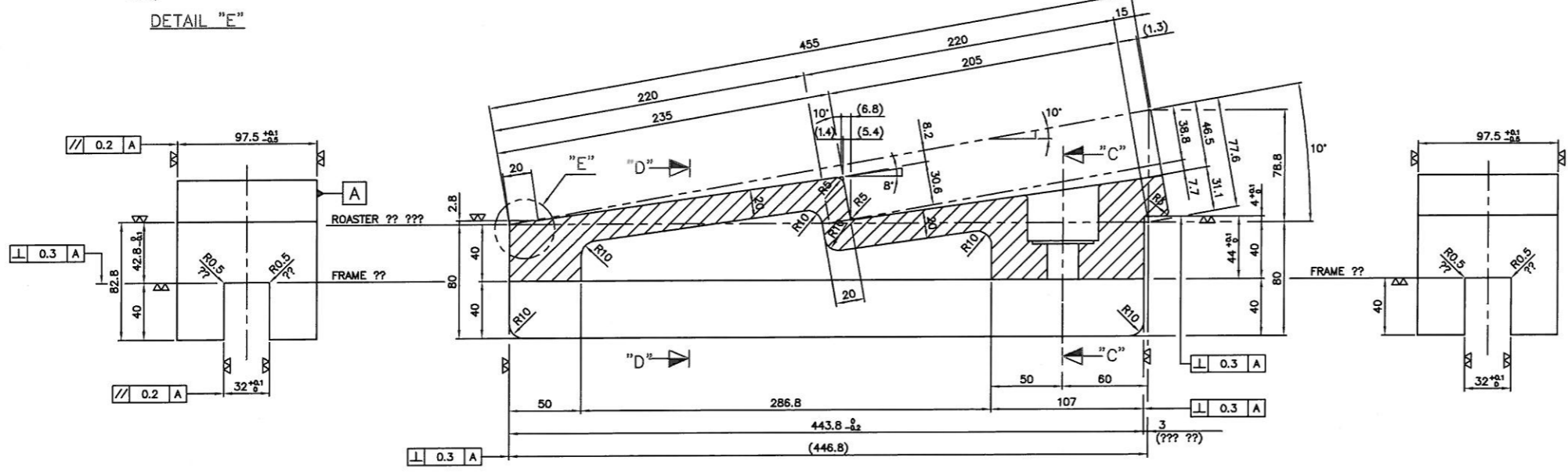
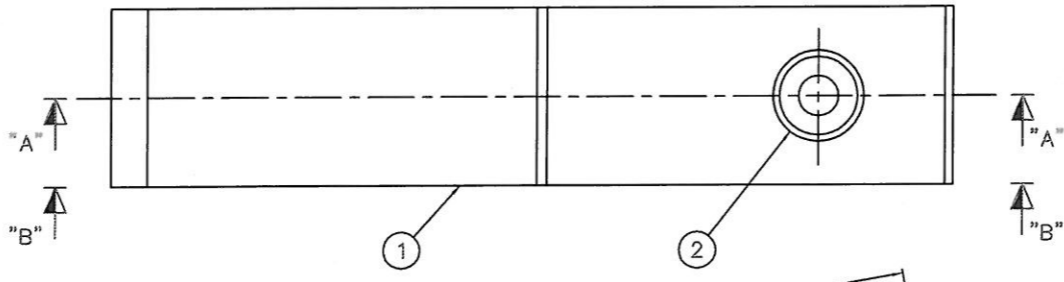
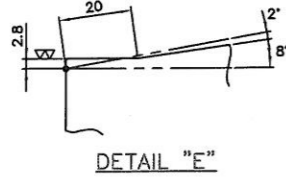


1?? ????

STOKER WIDTH	N
1.6m	2
1.8m	-
2.0m	2
2.2m	-
2.4m	2
2.6m	-
2.8m	2
3.0m	-
3.6m	2

TOTAL Q'TY : 2x37=6

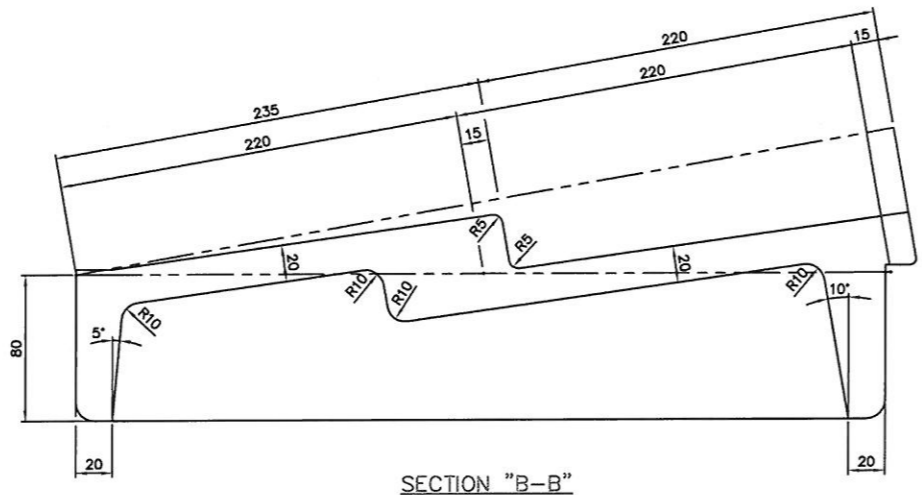
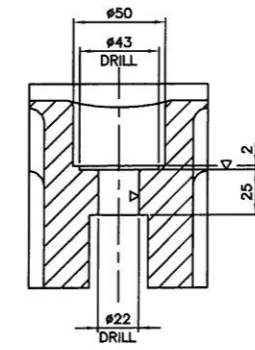
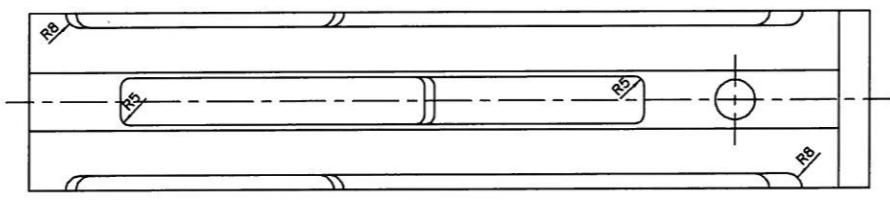
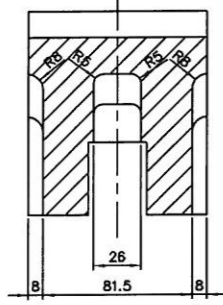
2	BOLT & SPRING WASHER	6	SUS304	M20x60L		
1	100mm UPPER ROASTER	2x3	TH901		W=12.6kg	
No.	DESCRIPTION	Q'TY	MATERIAL SPEC	REMARKS		
△						
△						
△						
△	2008.05	FOR CONSTRUCTION	s.d.Kong/b.n.Jeon/k.j.Lee/y.k.Kim			
REV. No.	DATE	DESCRIPTION	DR'N	DES'N	CH'D	APP'D
???		OWNER				
여 수 시						
???						
요원공학건설주식회사						
???						
PROJECT TITLE						
여수시 도시형 폐기물 종합처리시설 건설사업						
????						
DRAWING TITLE						
I-2201/3201 (STOKER)						
100mm UPPER ROASTER						
????						
DRAWING NO.		SCALE		Rev.		
M01-046		1/2		△		



1?? ????

STOKER WIDTH	N
1.6m	10
1.8m	-
2.0m	10
2.2m	-
2.4m	10
2.6m	-
2.8m	10
3.0m	-
3.6m	10

TOTAL Q'TY : 10x3=30



REV. No.	DATE	DESCRIPTION	DR'N	DES'N	CHD	APP'D
2		BOLT & SPRING WASHER	30	SUS304	M20x60L	
1		100mm MIDDLE ROASTER	10x3	TH901		W=14.6kg

2008.05 FOR CONSTRUCTION
 s.d.Kang b.n.Jeon k.j.Lee y.k.Kim

OWNER
 여수시

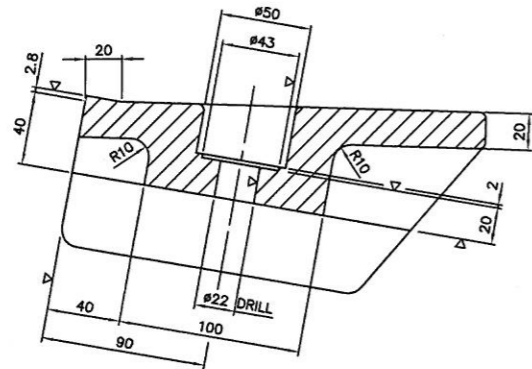
DESIGN/CONTRACTOR
 2008.05.20
 2008.05.20

PROJECT TITLE
 여수시 도시형 폐기물 종합처리시설 건설사업

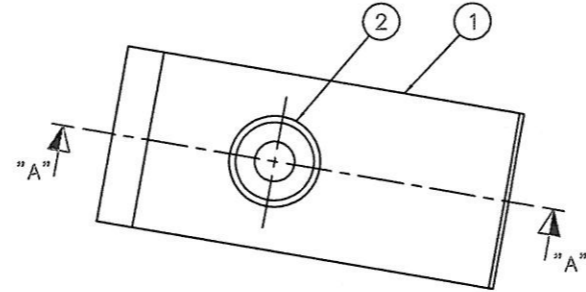
DRAWING TITLE
 1-2201/3201 (STOKER)

100mm MIDDLE ROASTER

DRAWING NO. M01-047 SCALE 1/2 Rev. 1



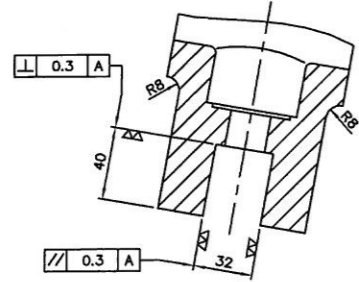
SECTION "A-A"



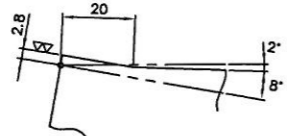
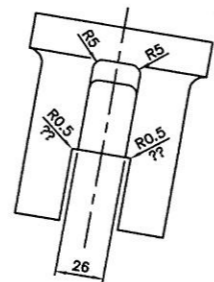
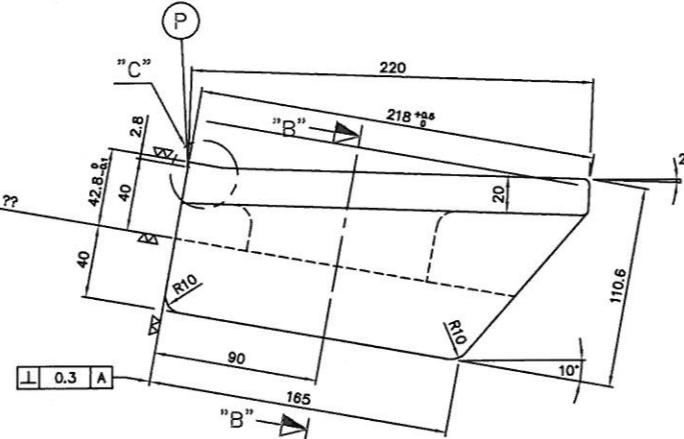
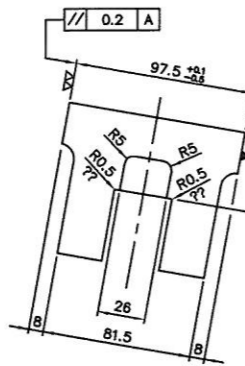
1?? ????

STOKER WIDTH	N
1.6m	2
1.8m	-
2.0m	2
2.2m	-
2.4m	2
2.6m	-
2.8m	2
3.0m	-
3.6m	2

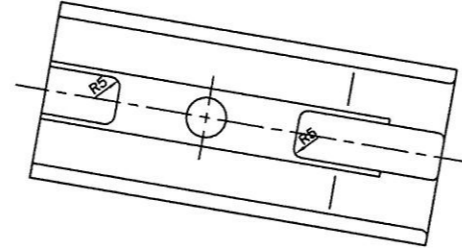
TOTAL Q'TY : 2x3?=6



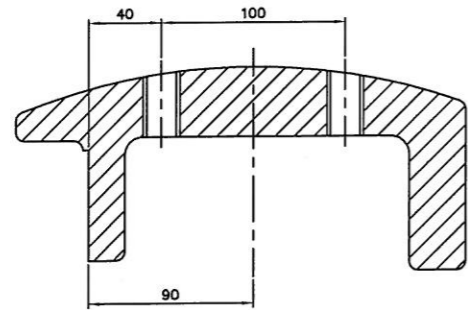
SECTION "B-B"



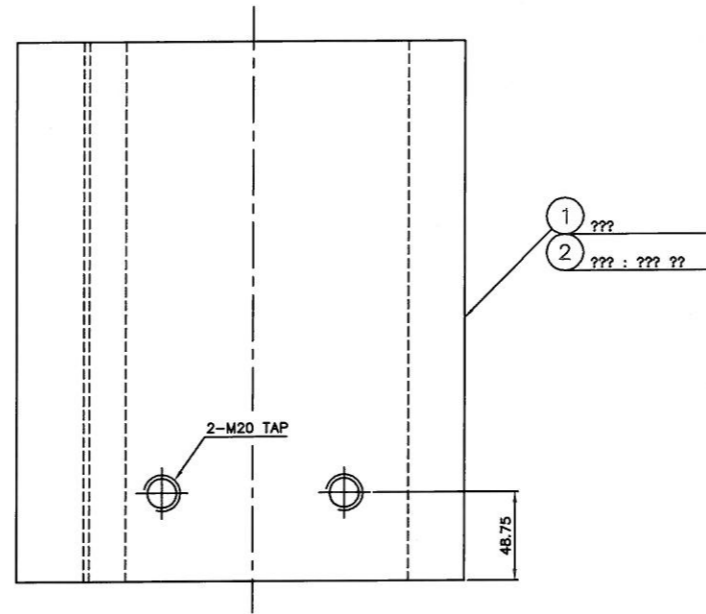
DETAIL "C"



2	BOLT & SPRING WASHER	6	SUS304	M20x55L		
1	100mm END ROASTER	2x3	TH901		W=10.1kg	
No.	DESCRIPTION	Q'TY	MATERIAL SPEC	REMARKS		
△						
△						
△						
△	2008.05	FOR CONSTRUCTION	s.d.Kang	b.n.Jeon	k.j.Lee y.k.Kim	
REV. No.	DATE	DESCRIPTION	DR'N	DES'N	CH'D	APP'D
???		OWNER				
여 수 시						
???	???	DESIGN/CONTRACTOR	여수시 도시형 폐기물 종합처리시설 건설사업			
???	???	PROJECT TITLE	여수시 도시형 폐기물 종합처리시설 건설사업			
???	???	DRAWING TITLE	I-2201/3201 (STOKER)			
100mm END ROASTER						
???	???	DRAWING NO.	M01-048	SCALE	1/2	
				Rev.	△	



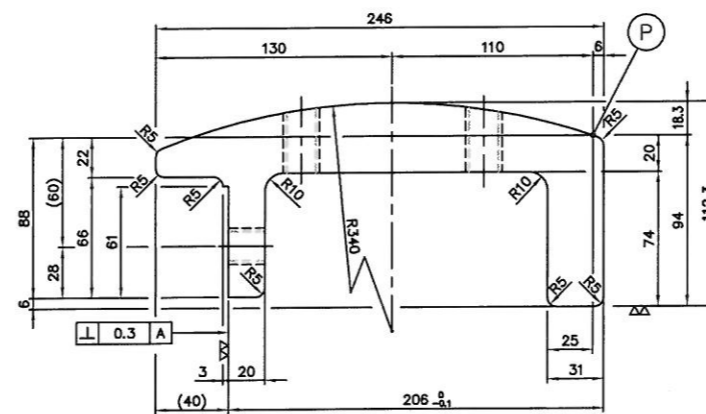
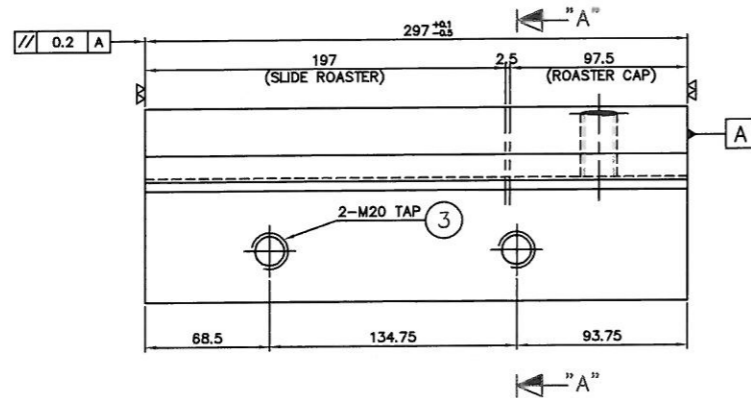
SECTION "A-A"



1?? ????

STOKER WIDTH	N
1.6m	1
1.8m	-
2.0m	1
2.2m	-
2.4m	1
2.6m	-
2.8m	1
3.0m	-
3.6m	1

TOTAL Q'TY : 1x3?=3



3	BOLT & SPRING WASHER	12	SUS304	M20x45L	
2	300mm RIGHT HORIZONTAL ROASTER	1x3	TH901		W=31kg
1	300mm LEFT HORIZONTAL ROASTER	1x3	TH901		W=31kg
No.	DESCRIPTION	Q'TY	MATERIAL SPEC	REMARKS	

△						
△						
△						
△	2008.05	FOR CONSTRUCTION		s.d.Kang	b.n.Jeon, k.j.Lee, y.k.Kim	
REV. No.	DATE	DESCRIPTION	DR'N	DES'N	CH'D	APP'D

??? OWNER
 여 수 시

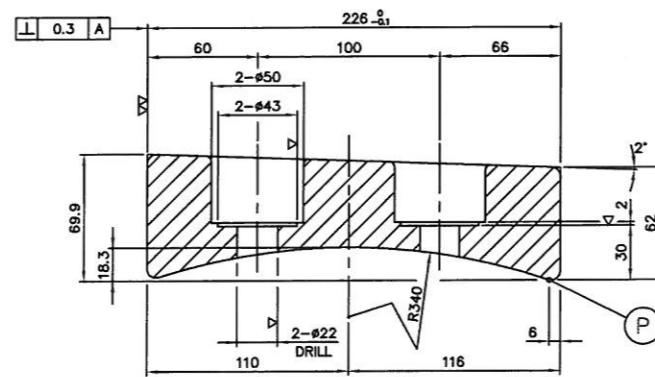
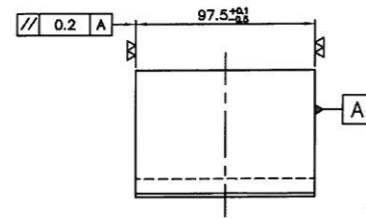
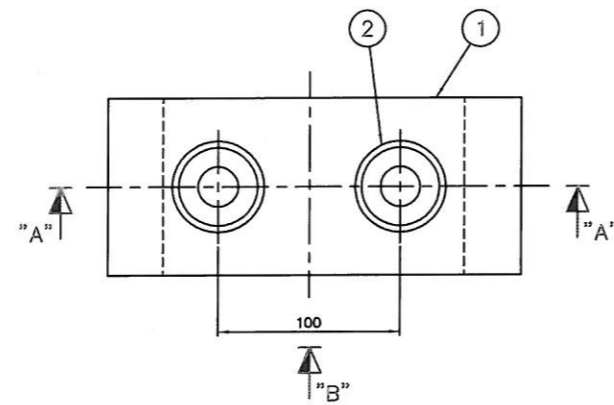
??? ??? DESIGN/CONTRACTOR
 유영건설주식회사

??? PROJECT TITLE
 여수시 도시형 폐기물 종합처리시설 건설사업

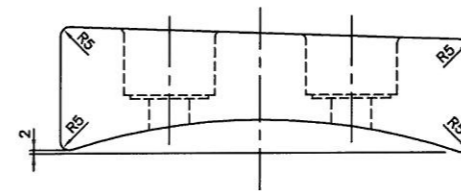
??? DRAWING TITLE
 I-2201/3201 (STOKER)

300mm LEFT/RIGHT HORIZONTAL ROASTER

??? DRAWING NO. M01-049 SCALE 1/2 Rev. △



SECTION "A-A"



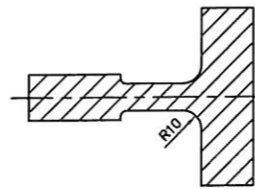
VIEW "B"

1?? ???? ?

STOKER WIDTH	N
1.6m	2
1.8m	-
2.0m	2
2.2m	-
2.4m	2
2.6m	-
2.8m	2
3.0m	-
3.6m	2

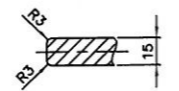
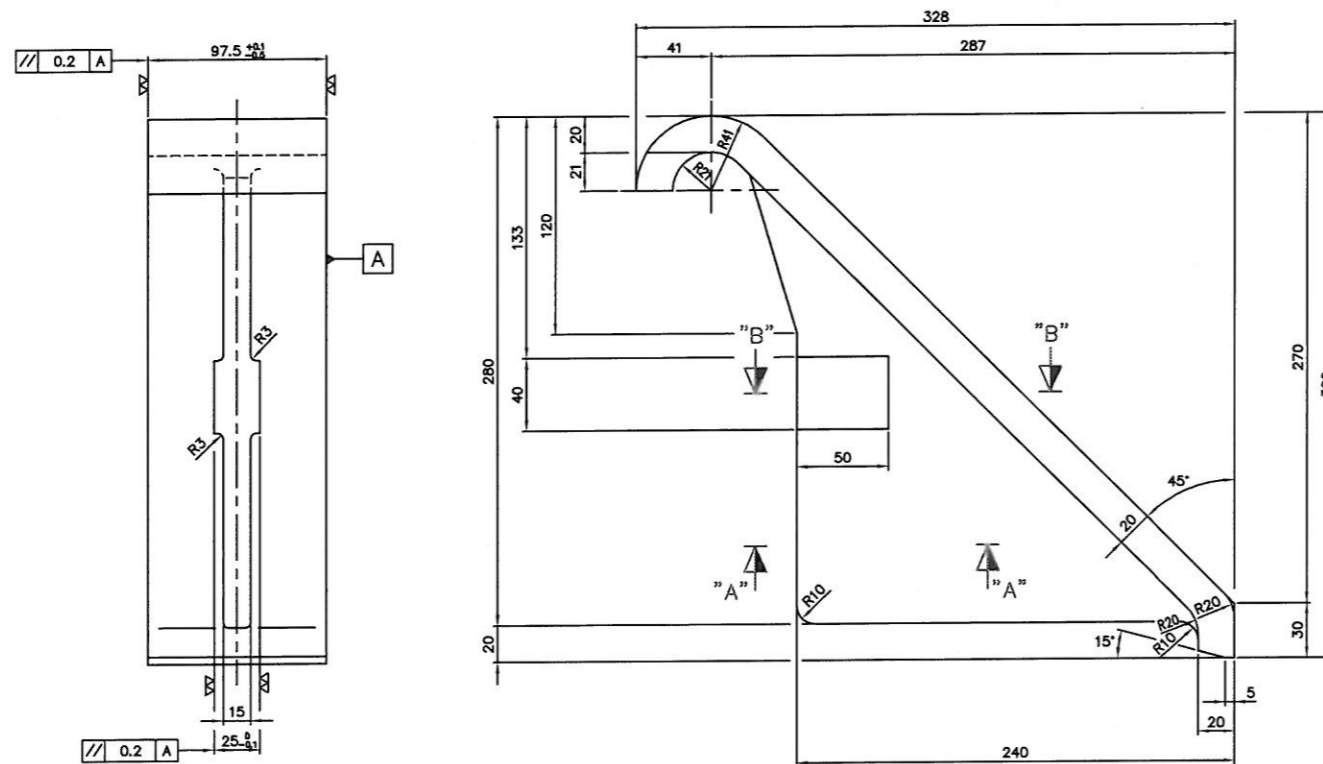
TOTAL Q'TY : 2x3=6

2	BOLT & SPRING WASHER	12	SUS304	M20x40L		
1	100mm HORIZONTAL ROASTER CAP	2x3	TH901		W=7.9kg	
No.	DESCRIPTION	Q'TY	MATERIAL SPEC	REMARKS		
△						
△						
△	2008.05	FOR CONSTRUCTION	s.d.Kang	b.n.Jeon	k.j.Lee y.k.Kim	
REV. No.	DATE	DESCRIPTION	DR'N	DES'N	CH'D	APP'D
???	OWNER					
	 여 수 시					
???	DESIGN/CONTRACTOR	 교원공건설주식회사				
???	PROJECT TITLE	여수시 도시형 폐기물 종합처리시설 건설사업				
????	DRAWING TITLE	I-2201/3201 (STOKER)				
	100mm HORIZONTAL ROASTER CAP					
????	DRAWING NO.	M01-050	SCALE	1/2	Rev. △	



SECTION "B-B"

②





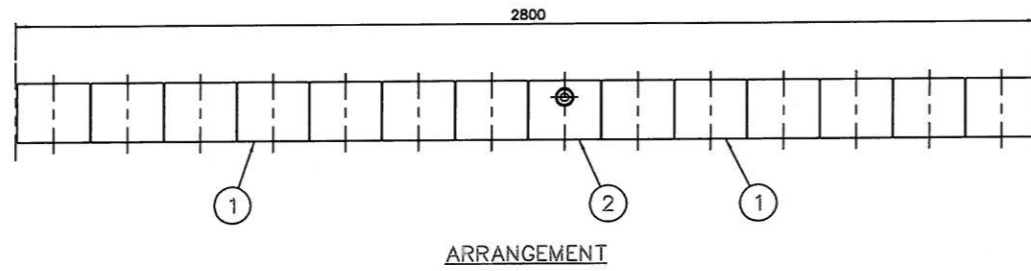
SECTION "A-A"

1?? ????

STOKER WIDTH	N
1.6m	2
1.8m	-
2.0m	2
2.2m	-
2.4m	2
2.6m	-
2.8m	2
3.0m	-
3.6m	2

TOTAL QTY : 2x3=6

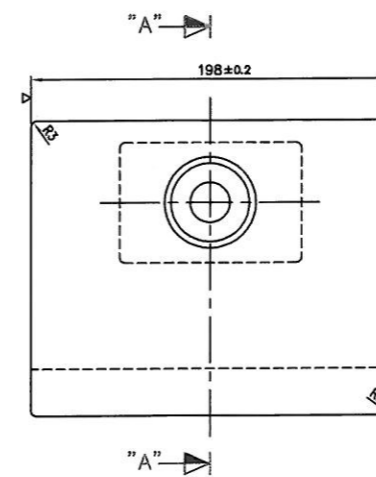
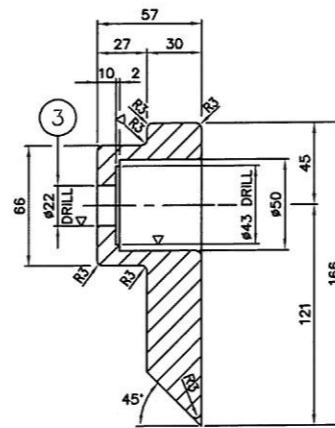
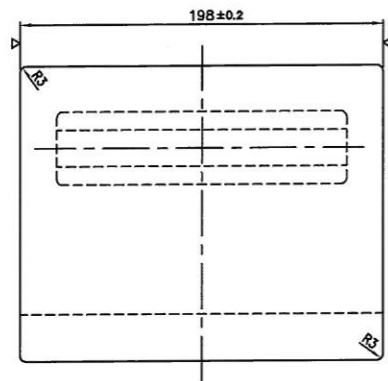
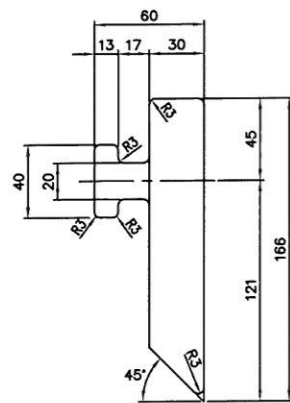
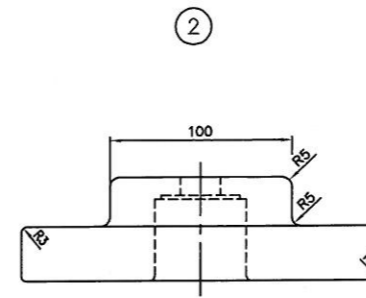
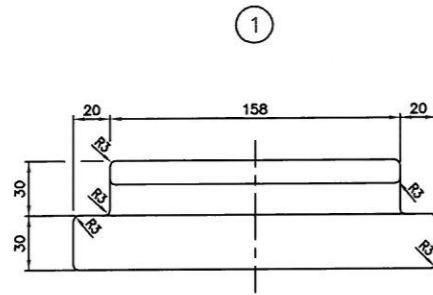
No.	DESCRIPTION	Q'TY	MATERIAL SPEC	REMARKS		
1	100mm APRON	2x3	TH901	W=10.9kg		
△						
△						
△						
△	2008.05 FOR CONSTRUCTION		s.d.Kang b.n.Jeon k.j.Lee y.k.Kim			
REV. No.	DATE	DESCRIPTION	DR'N	DES'N	CH'D	APP'D
???		OWNER				
 여 수 시						
???						
						
???						
PROJECT TITLE						
여수시 도시형 폐기물 종합처리시설 건설사업						
???? DRAWING TITLE						
I-2201/3201 (STOKER)						
100mm APRON						
????	DRAWING NO.	SCALE	1/2	Rev.	△	
	M01-052					



1?? ???? ?

STOKER WIDTH	N
1.6m	7
1.8m	8
2.0m	9
2.2m	10
2.4m	11
2.6m	12
2.8m	13
3.0m	14
3.6m	17

TOTAL QTY : 13x3=39



3	BOLT & SPRING WASHER	3	SUS304	M20x30L	
2	APRON SEAL BLOCK (B)	1x3	TH901		W=7kg
1	APRON SEAL BLOCK (A)	13x3	TH901		W=8kg
No.	DESCRIPTION	Q'TY	MATERIAL SPEC	REMARKS	

△						
△						
△	2008.06	FOR CONSTRUCTION	s.d.Kang/b.n.Jeon	k.j.Lee	y.k.Kim	
REV. No.	DATE	DESCRIPTION	DR'N	DES'N	CH'D	APP'D

??? OWNER
 여 수 시

??? DESIGN/CONTRACTOR
 효 용 공 건 설 주? 사 회 차

??? PROJECT TITLE
 여수시 도시형 폐기물 종합처리시설 건설사업

??? DRAWING TITLE
 1-2201/3201 (STOKER)

APRON SEAL BLOCK

??? DRAWING NO. M01-053 SCALE 1/2 Rev. △